

# V1700N-T Series

## IP PTZ Recessed Ceiling and Bracket Mount Dome Camera

**Infinova**<sup>®</sup>  
The Integrator's Manufacturer



- **Maximum resolution up to D1**
- **Supports H.264 & M-JPEG dual-stream encoding, three simultaneous video streams**
- **Two-way audio, G.711**
- **Remote PTZ Control via network**
- **Supports area zoom, digital zoom and image PTZ function**
- **Supports dome title settings and display**
- **Supports image overlapping**
- **Multiple white balance modes**
- **Supports preset, pattern, autoscan, autopan, time tour, normal tour and power-on return**
- **Supports privacy mask and motion detection**
- **2 alarm inputs and 1 relay output**
- **Uses low bandwidth while maintaining high image quality**
- **Smooth dynamic video**
- **Local recording**
- **SD card storage**
- **Standard SDK, easy to be integrated with other digital systems**
- **Onvif Profile S**
- **255 presets; accurate positioning with rotation speed up to 300°/s**
- **RS-485 control and analog video output for easy adjustment**
- **Outdoor IP66 rating, with built-in heater and air cycle system and freeze-proof**
- **Supports network remote upgrade**

V1700N-T series high speed IP dome camera is a new generation video surveillance product introduced by Infinova.

This series PTZ domes provide the ability to view and control H.264/M-JPEG dual-stream encoded HD video, and also support three video streams. It delivers high-quality live video and image with frame rate of 30fps and resolution of D1.

The dome adopts high-performance zoom camera module with functions of auto iris, auto white balance, auto gain control, etc. The optical zoom range is 28X and 36X, and it also supports 12X digital zoom. The preset speed is up to 300°/s. Accurate motor is adopted for acute response, smooth operation and less noise.

The user-friendly GUI interface is designed for easy PTZ control and convenient camera parameter settings. Thus, it is easier to set the PTZ and perform operations with a mouse than traditional keyboard. In addition, area zoom and image PTZ are also offered.

Infinova's V1700N-T series domes also provide functions such as preset, pattern, autopan, autoscan, timed tour, normal tour, etc.

## Technical specifications

<b>Models</b>	
V1700N-28TS, V1700N-36TS	
<b>Lens</b>	
28X, 36X	
Aperture/ Focal Length	28TS: F1.35~F3.7; f=3.5~98mm 36TS: F1.6~ F4.5; f=3.4~122.4mm
Angle of View	28TS: 55.8° (Wide) ~2.1° (Tele) 36TS: 57.8° (Wide) ~1.7° (Tele)
Min. Work Distance	28TS: 0.01m (Wide) ~ 1.5m (Tele) 36TS: 0.32m (Wide) ~ 1.5m (Tele)
<b>Camera</b>	
Video Type	PAL/NTSC (D/N)
Scanning System	2:1 interlace scanning
Image Sensor	28TS: 1/4" interlace scanning CCD 36TS: 1/4" progressive scanning CCD
Sensitivity (28TS)	Color mode: 0.25 lux (F1.35, 50IRE) (typical); 0.16 lux (NTSC: 1/4s, PAL: 1/3s) (typical)
	B/W mode: 0.0015 lux (NTSC: 1/4s, PAL: 1/3s)
Sensitivity (36TS)	Color mode: 1.4 lux (NTSC: 1/60s, PAL: 1/50s) 0.1 lux (NTSC: 1/4s, PAL: 1/3s)
	B/W mode: 0.01 lux (NTSC: 1/4s, PAL: 1/3s)
S/N Ratio	>50dB
Effective Pixels (H × V)	PAL/440K: 752×582; NTSC/380K: 768×494
Horizontal Resolution	550TVL
<b>Sync</b>	
Sync System	Internal
<b>Operational</b>	
Iris	Auto, Manual, M/A
Focus	Auto, Manual, M/A
Shutter	Auto: default;
	Manual: PAL: 1/1~1/10000s; NTSC: 1/1~1/10000s
WDR	28TS: / 36TS: OFF/DVER COMP/EXP RATIO/AUTO
Stabilization	ON/OFF
DSS	Available
White Balance	AUTO/MANU/INDOOR/OUTDOOR/ OUTDOOR AUTO/SODI/ATW
BLC	ON/OFF
Noise Reduction	ON/OFF
AGC	Available
Slow AE	Available
Others	Sharpness adjustable
<b>Pan/Tilt Functions</b>	
Presets	1~255
Patterns	4
AutoPans	4
Normal Tours	6 groups (each tour can be associated with 14 actions, including Preset 1~32, Pattern 1~4, and AutoPan 1~4)
Home Return	Available
Timed Tours	Available
Auto Scan	Available
Motion Detection	4 areas
Privacy Mask	24 areas
Alarm	2 alarm inputs, 1 relay output
Area Zoom	Available

Web Server	Available
Upgrade Online	Available
<b>Video</b>	
Compression	H.264/M-JPEG
Max. Resolution	D1 @ H.264/M-JPEG
Optional Resolution	Major stream: PAL: D1(720×576) / 4CIF(704 × 576) NTSC: D1(720×480) / 4CIF(704 × 480)
	Minor stream: PAL: D1(720×576)/4CIF(704×576)/2CIF(704×288)/ CIF(352 × 288)/QCIF (176×144) NTSC:D1(720×480)/4CIF(704×480)/2CIF(704×2 40)/CIF (352×240) / QCIF(176×120)
Data Rate	Variable bit rate Constant bit rate: 256Kbps ~ 10,000Kbps
Max. Frame Rate	PAL: 25fps; NTSC: 30fps
Network Delay	<300ms
<b>RS485</b>	
Communication Protocol	INFINOVA, PELCO-P/D
Soft Address	1~255
Baud Rate	2400/4800/9600bps optional
<b>Audio</b>	
Compression	G.711
Port	1 input, linear level, impedance: 1kΩ; 1 output, linear level, impedance: 600Ω
<b>IP</b>	
Network Port	1 RJ-45 10M/100M self-adaptive Ethernet Port IPv4, TCP, UDP, IGMP, DHCP, FTP, SNMP(v3), SMTP, NTP, RTP, RTSP, RTCP, HTTP, HTTPS, TSL, SSL, 802.1X, QoS, PPPoE, DNS, ARP, ICMP
Network Protocol	
<b>Mechanical</b>	
Variable Speed	Pan: 0.1° ~ 250°/s; tilt: 0.1° ~ 90°/s
Preset Speed	300°/s (max.)
Rotation Angle	Pan: 360°; tilt: -3° ~ 90°
Preset Accuracy	±0.1°
Motor	Stepping motor
<b>Electrical</b>	
Power Supply	24VAC/24VDC self-adaptive
Power Consumption	24VAC: 20W (indoor); 35W (outdoor); 24VDC: 20W (indoor); 33W (outdoor)
Surge Protection	Yes, ±2000V
<b>Environmental</b>	
Operation Temperature	Indoor: -4°F ~ +122°F (-20°C ~ +50°C); Outdoor: -40°F ~ +122°F (-40°C ~ +50°C)
Storage Temperature	-4°F ~ +140°F (-20°C ~ +60°C)
Operation Humidity	0 ~ 90% RH (non-condensing)
Mounting	Bracket, Ceiling
<b>Physical</b>	
Unit Dimensions (HxD)	Indoor bracket: 11.5" × Φ8.6" (292mm × Φ218mm);
	Indoor ceiling: 9.4" × Φ8.4" (240mm × Φ214mm);
	Outdoor bracket: 11.5" × Φ9.4" (292mm × Φ240mm);
Box Dimensions (LxWxH)	19.09" × 11.02" × 11.81" (485mm × 280mm × 300mm)
Material of Housing	Cast aluminum alloy
Material of Bubble	Clear polycarbonate
<b>Certifications and Approval</b>	
Product Certifications	CE <sup>1</sup> , FCC <sup>2</sup> , UL <sup>3</sup> , IK10, ISO 9001: 2008

Certificate No.: <sup>1</sup> CTL1404150731-EC; <sup>2</sup> CTL1404150731-FC; <sup>3</sup> E232008-A30-UL.

## Ordering information

### PTZ Dome Camera Part Numbering

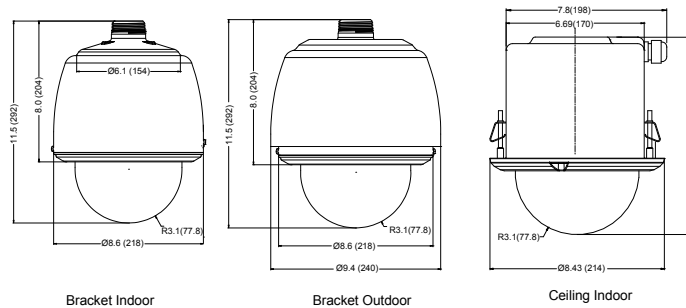
Type	Bubble	28X D/N	36X D/N
Indoor Ceiling Mount NTSC Camera	Vandal-Resistant Clear	V1700N-28T0N3C3S	V1700N-36T0N3C3S
	Vandal-Resistant Smoked	V1700N-28T0N4C3S	V1700N-36T0N4C3S
Indoor Ceiling Mount PAL Camera	Vandal-Resistant Clear	V1700N-28T1N3C3S	V1700N-36T1N3C3S
	Vandal-Resistant Smoked	V1700N-28T1N4C3S	V1700N-36T1N4C3S
Indoor Bracket Mount NTSC Camera	Vandal-Resistant Clear	V1700N-28T0N3B3S	V1700N-36T0N3B3S
	Vandal-Resistant Smoked	V1700N-28T0N4B3S	V1700N-36T0N4B3S
Indoor Bracket Mount PAL Camera	Vandal-Resistant Clear	V1700N-28T1N3B3S	V1700N-36T1N3B3S
	Vandal-Resistant Smoked	V1700N-28T1N4B3S	V1700N-36T1N4B3S
Outdoor Bracket Mount NTSC Camera	Vandal-Resistant Clear	V1700N-28T0U3B3S	V1700N-36T0U3B3S
	Vandal-Resistant Smoked	V1700N-28T0U4B3S	V1700N-36T0U4B3S
Outdoor Bracket Mount PAL Camera	Vandal-Resistant Clear	V1700N-28T1U3B3S	V1700N-36T1U3B3S
	Vandal-Resistant Smoked	V1700N-28T1U4B3S	V1700N-36T1U4B3S

### Accessories

- V1761 Wall Mount, 10 inch horizontal, 1.5 inch NPT
- V1762 Corner Mount, 10 inch horizontal, 1.5 inch NPT
- V1763 Pole Mount, 10 inch horizontal, 1.5 inch NPT
- V1764 Pendant Mount, 15 inch long vertical, 1.5 inch NPT, indoor
- V1764A Pendant Mount, 15 inch long vertical, 1.5 inch NPT, Outdoor side opening for wiring
- V1764B Pendant Mount, 15 inch long vertical, 1.5 inch NPT, Outdoor top opening for wiring
- V1765 Parapet Mount, 12 inch horizontal, vertical attachment, 1.5 inch NPT
- V1765A Parapet Mount, V1765 horizontal attachment adapter
- V1766 Ceiling liner plate, 2' x 2'

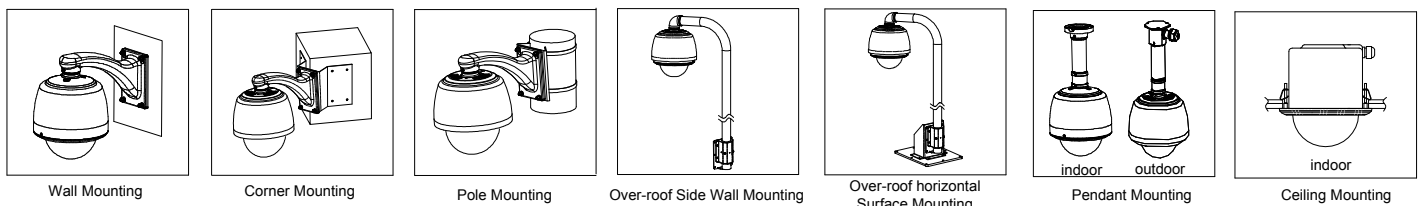
For detailed information, please refer to V1760 series indoor/outdoor dome mounts.

## Dimensions



(Unit: inch, in the parentheses is mm)

## Mounting



# System Application

